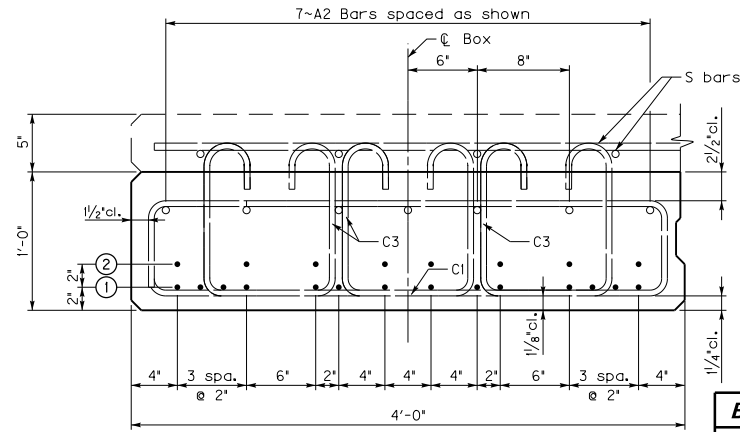
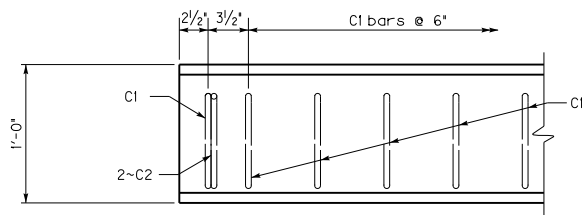


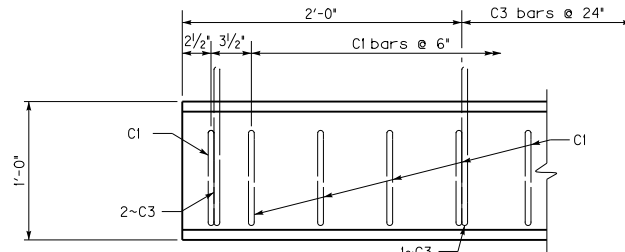
B12 BEAM



CB12 BEAM



B12 ELEVATION OF 0° SKEW
(Refer to BDP-003, for skewed details)



CB12 ELEVATION OF 0° SKEW
(Refer to BDP-003, for skewed details)

TABLE OF STRAND DATA

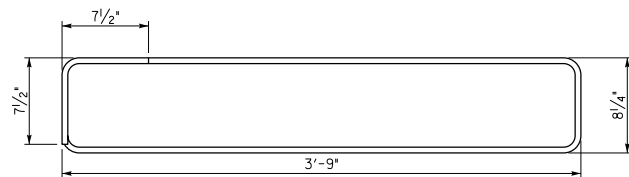
Beam Type	Beam Length (feet)	Number of Strands Required	
		Row ①	Row ②
B12	12	9	1
	14	10	1
	16	11	1
	18	12	1
	20	12	1
	22	12	2
	24	13	2
26	13	4	
CB12	12	7	
	14	8	
	16	8	
	18	9	
	20	10	
	22	10	
	24	10	
	26	12	
	28	13	
	30	13	2
32	14	2	
34	14	8	

BAR QUANTITIES DESIGN DATA

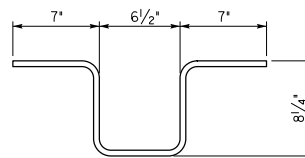
Beam Type	Beam Length (feet)	C1	C2	C3	DC (Klps)	DW (Klps)	LL (Klps)	LL+I (Klps)	Δd (In.)	ΔG (In.)
B12	12	25	2		3.9	0.4	27.8	36.3		
	14	29	2		4.6	0.4	29.1	37.8		
	16	33	2		5.2	0.5	30.1	39.1		
	18	37	2		5.8	0.5	31.0	40.1		
	20	41	2		6.5	0.6	31.8	41.0		
	22	45	2		7.1	0.6	32.5	41.9		
	24	49	2		7.8	0.7	33.2	42.6		
26	53	2		8.4	0.7	33.8	43.4			
CB12	12	25		9	5.4	0.4	27.8	36.3	0.1	0.1
	14	29		10	6.3	0.4	29.1	37.8	0.1	0.1
	16	33		11	7.2	0.5	30.1	39.1	0.1	0.2
	18	37		12	8.1	0.5	31.0	40.1	0.1	0.2
	20	41		13	9.0	0.6	31.8	41.0	0.1	0.3
	22	45		14	9.9	0.6	32.5	41.9	0.1	0.3
	24	49		15	10.8	0.7	33.2	42.6	0.1	0.3
	26	53		16	11.6	0.8	33.8	43.4	0.1	0.5
	28	57		17	12.5	0.8	35.1	44.9	0.2	0.5
	30	61		18	13.4	0.9	36.4	46.4	0.2	0.6
32	65		19	14.3	0.9	37.7	48.1	0.2	0.7	
34	69		20	15.2	1.0	38.9	49.6	0.3	1.0	

Straight Reinforcement

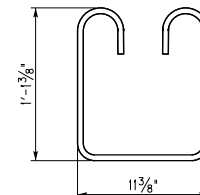
MARK	SIZE	LENGTH
A1(E)	#5	Beam Length Minus 3'
A2(E)	#4	Beam Length Minus 3'
D(E)	#8	2'-0"



C1(e) Bar
#4 Stirrup



C2(e) Bar
#4 Stirrup



C3(e) Bar
#5 Stirrup

KENTUCKY DEPARTMENT OF HIGHWAYS
BOX BEAM
B12 & CB12
DETAILS

STANDARD DRAWING NO. BDP-006-04

SUBMITTED *Mark Wite* 12-01-11
 DIRECTOR OF STRUCTURAL DESIGN DATE
 APPROVED *[Signature]* 12-01-11
 STATE HIGHWAY ENGINEER DATE